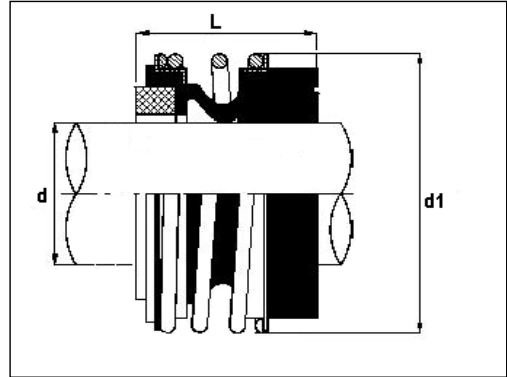


# Type 12



Available with seat types 11B 11G 11K 11L



d	d1	L1
10	22.5	25.9
12	25	25.9
14	28.5	28.4
15	28.5	28.4
16	28.5	28.4
18	32	30
19	37	30
20	37	30
22	37	30
24	42.5	32.5
25	42.5	32.5
28	49	35
30	49	35
32	53.5	35
33	53.5	35
35	57	35
38	59	36
40	62	36

d	d1	L1
42	65.5	36
43	65.5	36
45	68	36
48	70.5	36
50	74	38
53	78.5	36.5
55	81	36.5
58	85.5	41.5
60	88.5	41.5
65	93.5	41.5
68	96.5	41.2
70	99.5	48.7
75	107	48.7
80	112	48
85	120	46
90	127	51
95	132	51
100	137	51

**Operating limits :**  
 Pressure : 12 bar  
 Temperature : -30 °C - 204 °C  
 Speed : 10 m/s

**Faces :**  
 Carbon vs Ceramic  
 Silicon vs Silicon  
 Tungsten vs Tungsten

**Elastomer :**  
 Supplied in Viton as standard  
 Nitrile and EPDM available on request

Tel : 031-7052020      Fax : 031-7052022      Email : Wilfred@mchseals.co.za

All dimensions and limits are for guidance purposes only. Shaft dimension and medium are critical in determining correct limits. If in doubt contact the above.